



Bathtub - CL.1

Tub spout for wall-mounted installation - platinum matte

Article number: 13 801 705-06

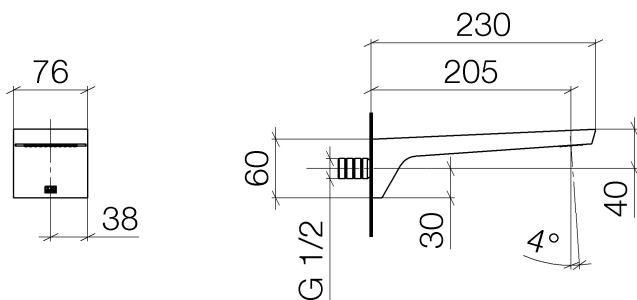
- 8-1/8" Projection
- Rectangular aerator with 55 individual streams
- 1-1/2" hole diameter
- 1/2" connection
- Plug-in connection mounting
- Water flow rate limited to max. 6.5 gpm
- Fittings group in compliance with DIN 4109: 2



platinum matte

Accessory is required for this item.

Dimensional drawing

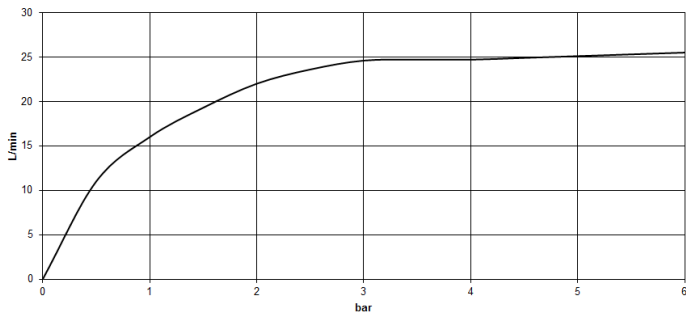


All dimensions in mm / inch = mm x 0,0394



Bathtub - CL.1
Tub spout for wall-mounted installation - platinum matte
Article number: 13 801 705-06

Flow rate chart





Bathtub - CL.1
Tub spout for wall-mounted installation - platinum matte
Article number: 13 801 705-06

Other surface finishes



polished chrome
13 801 705-00



Dark Platinum matte
13 801 705-99

More custom finish options are available via special production (xTra Service). Please see our finish matrix for availability and pricing or contact a Dornbracht representative.

Required article



35 080 970-90 0010
Rough-in adapter -

Spare parts list

Number	Item Number	Designation	Number of units
--------	-------------	-------------	-----------------

